

VELVET ROLLER - SRM200

The Velvet Roller is designed for separating sorrel and dodder seed from the seed of trefoil plants (clover, lucerne). The velvet roller also removes shrunk unripe seeds or seeds fragments and seeds from other weeds unless their surface is smooth.

The cleaning unit is formed by two cylinders coated with velvet. The cylinders nearly touch each other all along their length. The cylinder axes are placed in closed ball bearings equipped with swing bushings. To avoid shooting seed out of the unit, a cover made of metal sheet - deflector - is placed above the two cylinders. The cleaning units are placed above each other and work concurrently. The machine is equipped with 10 cleaning units. The opposite rotation of cylinders is ensured by toothed gear wheels.

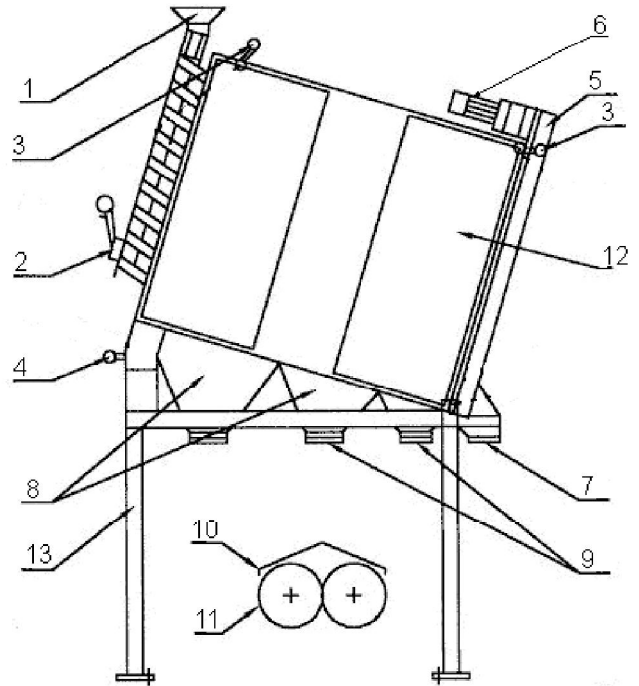
The machine is driven by a three-phase asynchronous electric motor with a gear box. The motor output speed is controlled by a frequency inverter. The pulleys of all cleaning units are belted with one common v-belt that is driven by the motor.

The lower and the upper part of the chassis is welded of closed rectangular profiles. The working part of the machine is fitted to the pedestal by swing fasteners, which makes it possible to change the longitudinal inclination of the cleaning units.

The three refuse collectors made of steel sheet are placed in the lower part of the chassis. They are equipped with fasteners for fitting bags.

The pedestal is welded of profiles made of 3 mm steel sheet. The legs are provided with foot plates for anchoring the machine.

The cleaning units sides are covered with openable covers. The driving units are covered with safety covers made of sheet steel.



1. Seed intake
2. Stepless capacity regulation for all cleaning units
3. Deflector adjustment
4. Longitudinal inclination adjustment
5. V-belt drive
6. Drive motor with gear box
7. Cleaned seed discharge
8. Refuse collector
9. Bag fastener
10. Deflector
11. Velvet roll
12. Inspection door
13. Pedestal

Technical data	
Capacity	
Clover, alfalfa	200 kg/h
Motor (standard)	
Drive	1,1 kW
Dimensions	
Length	2550 mm
Width	1150 mm
Height	3650 mm
Total weight	
Net	662 kg
Technical data can vary for certain of the above due to continued development, or a different machine composition	